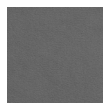


# Adelaide Sofa



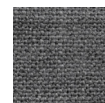
Velvet  
Rust



Velvet  
Mercury



Leaside  
Driftwood



Andorra  
Pewter

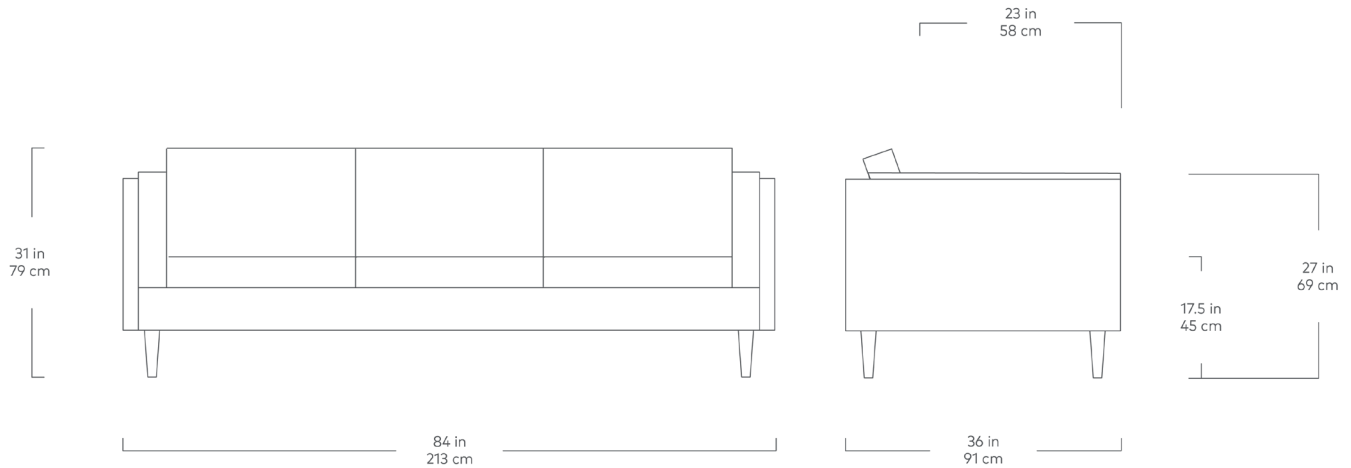
The Adelaide Sofa is a classic club sofa frame that harkens back to Mid-century archetypes. Structured side cushions lend a vintage look, and provide added comfort. The solid, tapered-wood legs can be easily removed and reattached, allowing this sofa to fit through tight spaces. The sofa frame and legs are FSC®-Certified hardwood, in support of responsible forest management. The Sofa matches perfectly with the Adelaide Bi-Sectional.

Design Trade Professionals: We aim to keep our designs in stock and ready to ship quickly for projects on a tight timeline. Designs may be customized with COM and alternate finishes (minimum quantities may apply).



FOR PRODUCT INFORMATION, SWATCHES + ORDERING: [HELLO@RYPEN.COM](mailto:HELLO@RYPEN.COM) | 800.560.0554 | [WWW.RYPEN.COM](http://WWW.RYPEN.COM)

# Adelaide Sofa



- Dacron-wrapped cushion fill for a structured look.
- Water-based, medium-toned finish on legs.
- Seat and back cushions are flippable.
- Legs can be removed and reattached to get through tight doorways.
- Kiln-dried 100% FSC®-Certified hardwood frame (FSC® 092551).
- Manufactured to meet California TB117-2013 fire safety standards without the use of flame retardant additives in the upholstery foam.
- The Sofa matches perfectly with the Adelaide Bi-Sectional.



**Gus\***



PROFESSIONALS

**rypen**  
STUDIO

Register for Our Exclusive  
Project Builder + Ordering Platform

